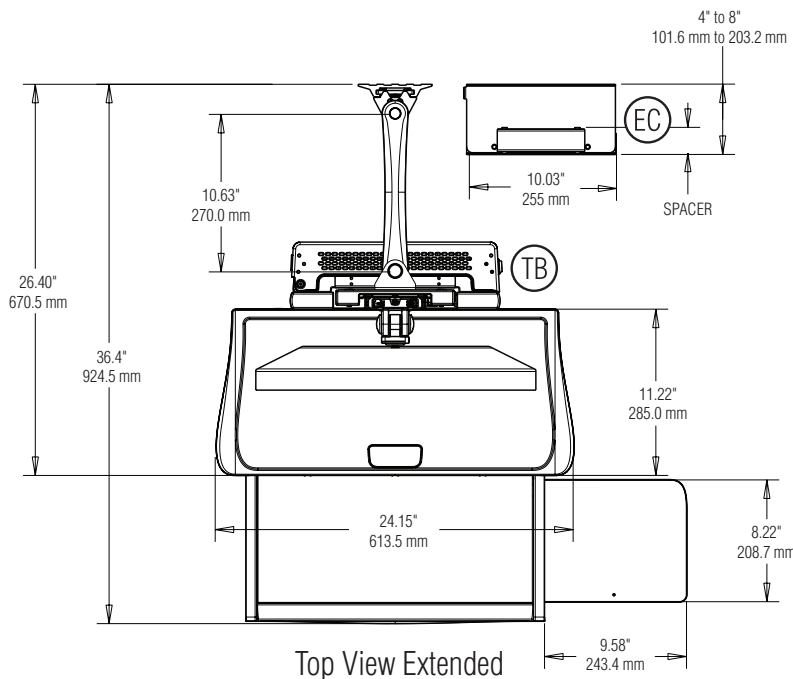


# Premium Tandem Arm™

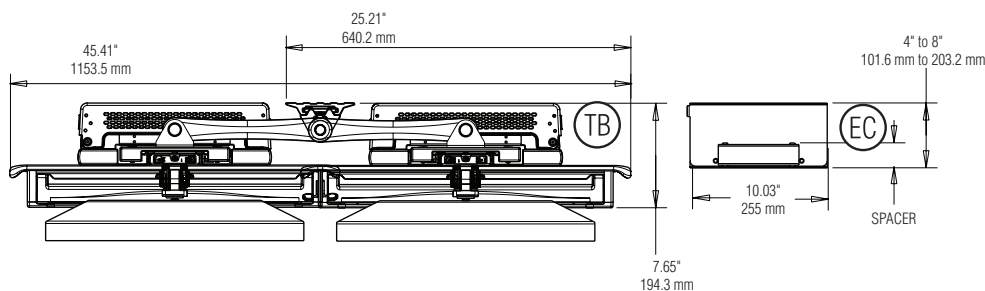
## Dimensional Illustration

Model Numbers: FG9A36TDPTB, FG9A36TDPEC

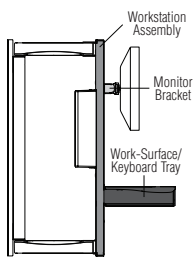
Premium Tandem Arms may be ordered with an integrated Technology Box or an external CPU Holder. Both options are shown on this document and labeled "TB" for Technology Box and "EC" for External CPU Holder. Only one of these items will be on your product.



Top View Extended

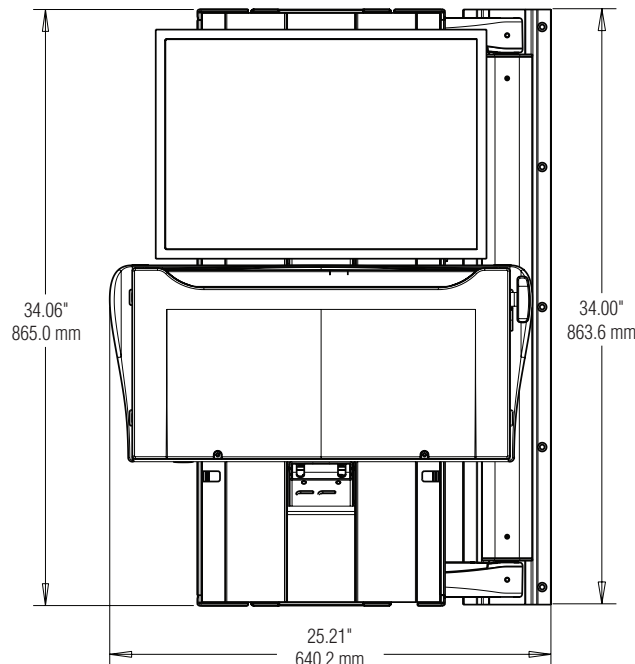


Top View Stowed Left and Right

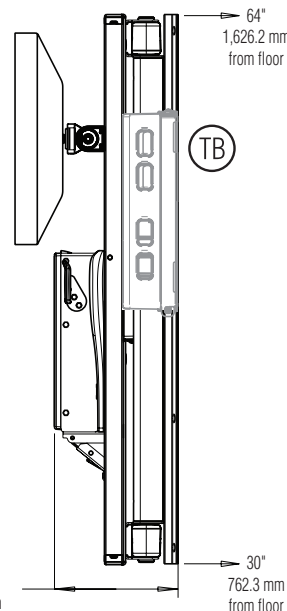
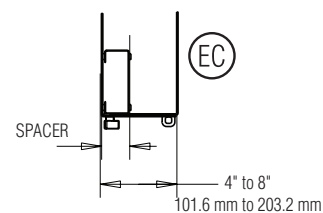


	Height Adjustment	Weight Capacity	Rotation	Pivot	Tilt Range	Mounting Standard
Workstation Assembly	15"	FG9A36TDPTB: 26 lbs** FG9A36TDPEC: 16 lbs**	n/a	180°	n/a	n/a
Monitor Bracket	5**	25 lbs	180°	n/a	+/- 20°	75mm and 100 mm VESA
Work-Surface/Keyboard Tray	15"	50 lbs	n/a	n/a	-20°*	n/a

\*Accessory  
 4172200: Height Adjustable Monitor Bracket (8-12 lbs) for A36  
 4172201: Height Adjustable Monitor Bracket (13-18 lbs) for A36  
 4170931: Keyboard Tilt for A36  
 \*\*Workstation Assembly Weight includes all technology on the moving workstation



Front View Stowed Left



Side View Stowed

Specifications subject to change without notice.

1-888-859-8294

www.RubbermaidMedical.com

04/10 Digital MD031  
 © Rubbermaid Medical Solutions  
 Huntersville, NC 28078  
 A **Newell Rubbermaid** Company