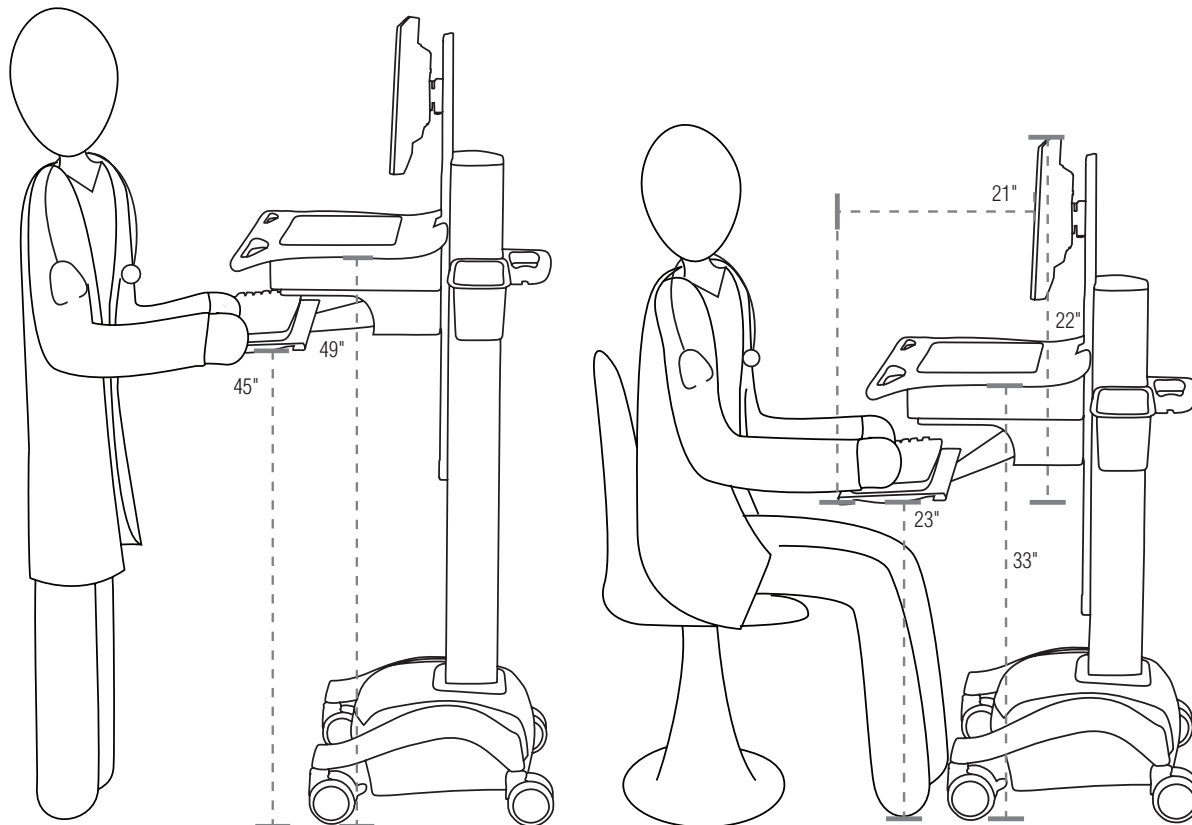


# Ergonomic Spec Sheet: M38 Mobile Carts



## Height Adjustment Range:

- Work Surface: 16" assisted lift; positive-lock positioning  
49" fully raised  
33" fully lowered
- Monitor: 3.5" at integration; 5" optional end-user adjustment
- Keyboard: 22"  
45" fully raised  
23" fully lowered

## Workstation Dimensions:

- 21" from front of monitor to wrist rest
- 22"-27" from top of monitor to keyboard tray
- 22"-32" from top of monitor to keyboard tray with height adjustable monitor bracket

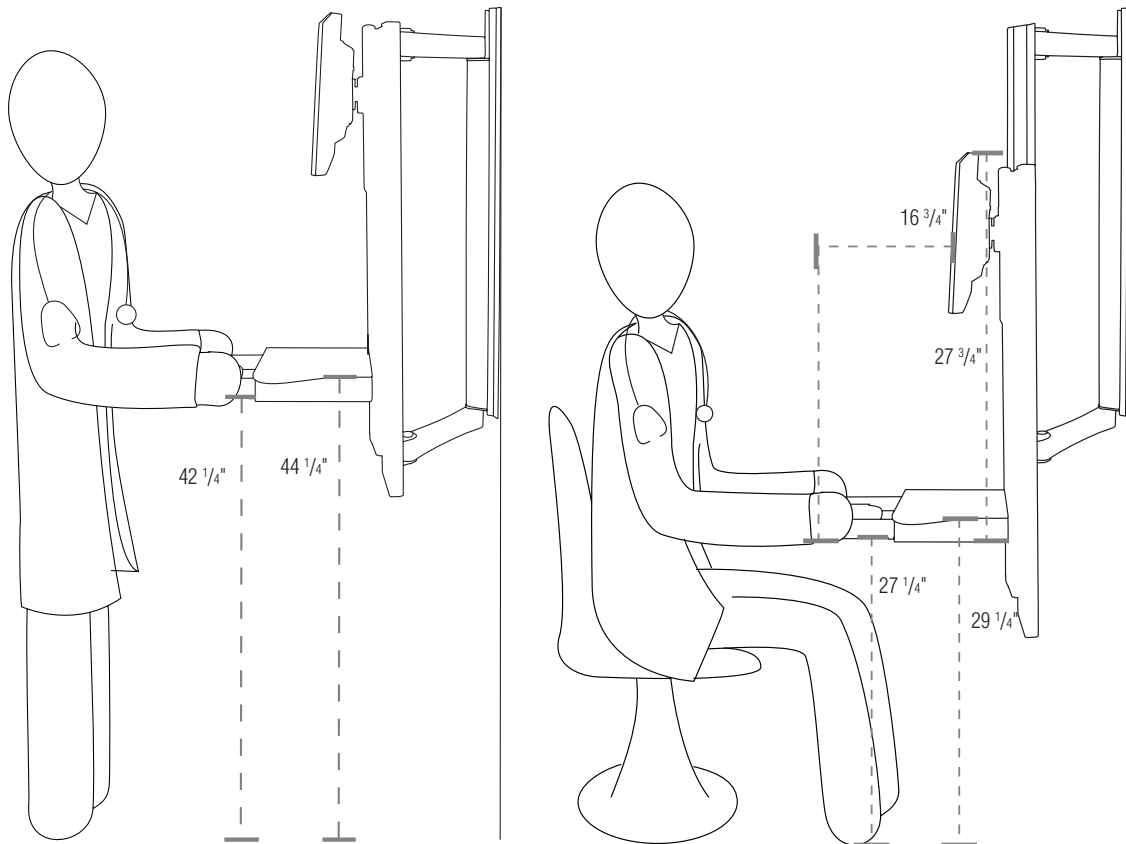
## Additional Ergonomic Considerations:

- 17"x17" compact base, contoured to 14.5" at center for easy maneuvering in patient areas and tight spaces
- Dual contoured front handles minimizes strain when pushing cart
- Rear handle provides maneuverability from any position
- Precision engineered casters for superior mobility
- Right and left footrests for user comfort
- Full keyboard adjustability: 6" of height adjustment, 180° swivel. -15° to +10° tilt. Left and right hand mouse pads slide out for easy access.
- Standard keyboard light reduces visual strain during night shift; Work Surface Task Light available

## Supplemental SKUs:

- M38 Monitor Height Adjustment with Rotation (8-12 lbs): 4170097
- M38 Monitor Height Adjustment with Rotation (13-18 lbs): 4170096
- Work Surface Task Light: 4171671
- Premium Keyboard Tray: 9M06033001

# Ergonomic Spec Sheet: A36 Wall Mounted Tandem™ Arm



## Height Adjustment Range:

- Work Surface: 15" assisted lift; positive-lock positioning  
44 1/4" fully raised  
29 1/4" fully lowered
- Monitor: 3.5" at integration  
Standard +/- 15° tilt  
Optional 5" end-user adjustment
- Keyboard: 15" with work surface; optional -15° tilt  
42 1/4" fully raised  
27 1/4" fully lowered

## Workstation Dimensions:

- 16 3/4" from front of monitor to wrist rest
- 27 3/4" from top of monitor to keyboard tray

## Additional Ergonomic Considerations:

- Dual pivot points with 180° of rotation facilitate eye contact with patient
- Contoured front handles minimizes strain while adjusting workstation
- Left and right hand mouse pads slide out for easy access
- Work Surface Task Light available

## Supplemental SKUs:

- A36 Monitor Height Adjustment with Tilt (8-12 lbs): 4172200
- A36 Monitor Height Adjustment with Tilt (13-18 lbs): 4172201
- Keyboard Tilt: 4170931
- Work Surface Task Light: 4171671