

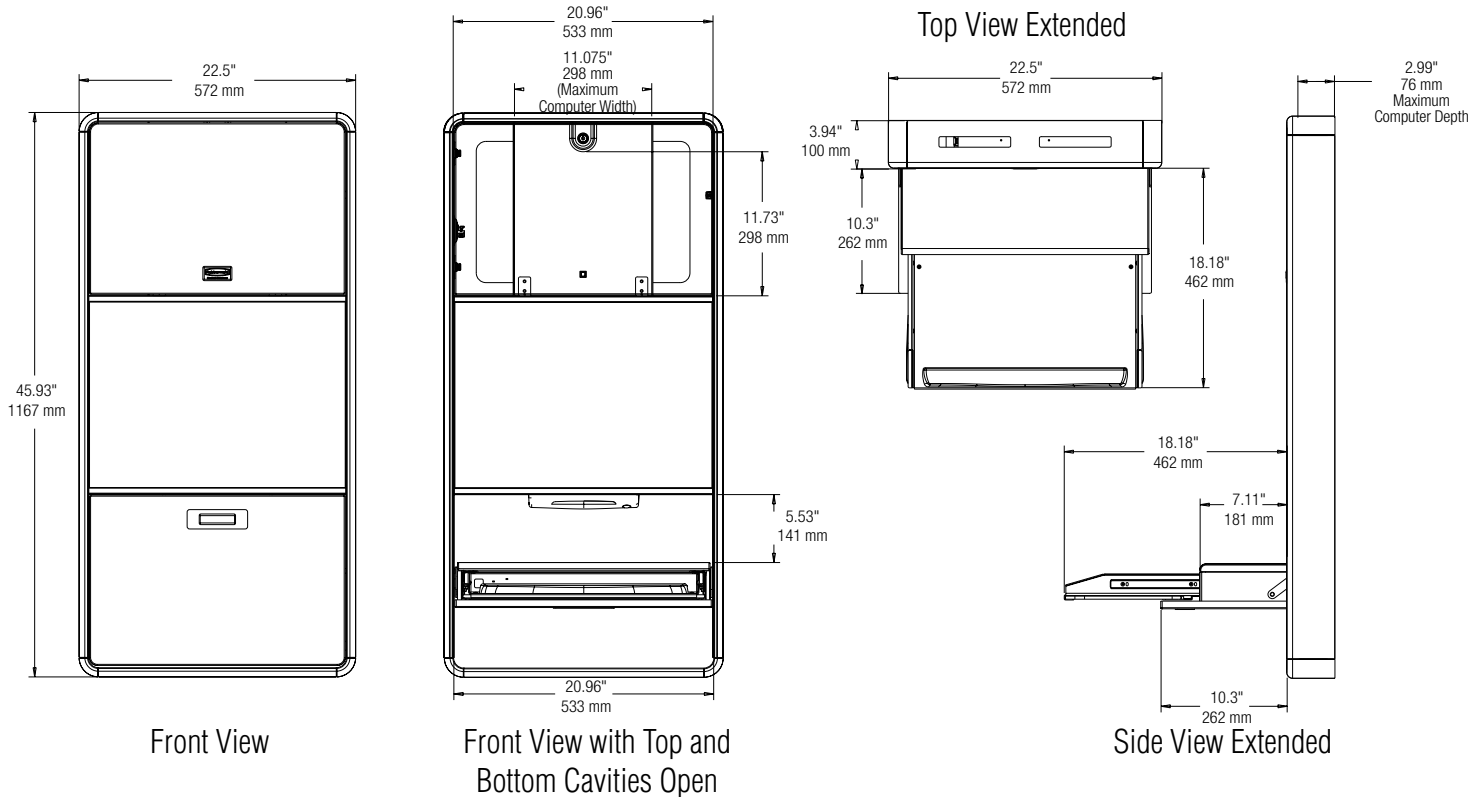
C36-423 Wall Cabinet Workstation

Dimensional Illustration



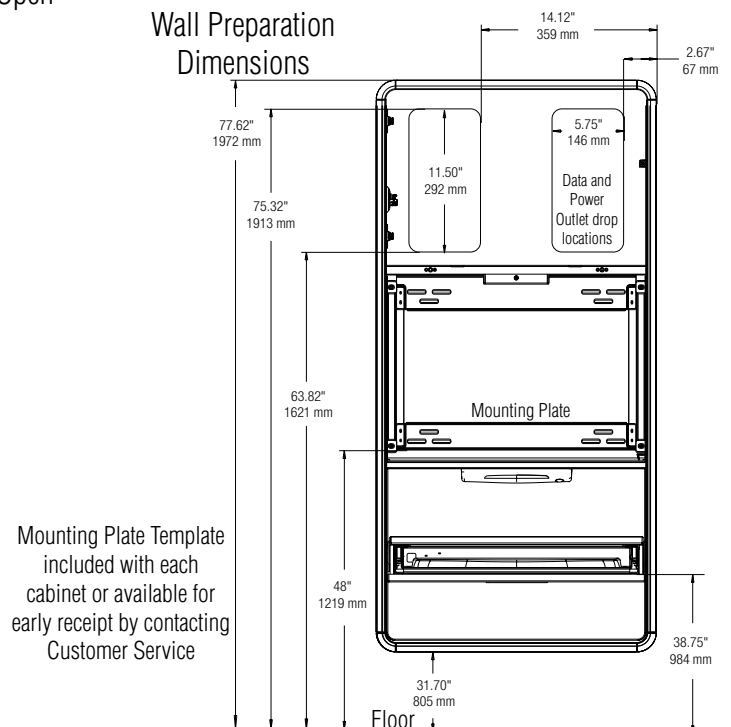
Model Numbers: FG9C36423, FG9C36423L

C36 Cabinets may be ordered with an Electronic Lock requiring PIN Code Access or as an open access cabinet. Cabinets may also be ordered with 1 of 21 available finishes.



Dimensions:	
Wall footprint when stowed	22 1/2" w x 46" h x 4" d
Weight with no technology	70 lbs
Installation:	
Mount Method	Wall Plate
Ergonomics:	
Monitor extension from wall	3"
Wrist Rest extension from wall	14" - 22"
Work surface size	20 1/2" w x 10" d
Keyboard Tray Height	38 1/4" from floor
Bi-directional Mouse Pad surface	10" w x 9 1/2" d
Task/Work surface light	LED; Automatic ON/OFF; 110 milliamps; USB powered
Wrist Rest	Integrated in Keyboard Drawer
Technology:	
Maximum Keyboard size	2 1/4" h x 18" w x 7" h
Display sizes accommodated	17" - 24"
VESA Pattern accepted	76 and 100 mm
Maximum CPU dimensions	2 1/8" h x 9 1/8" w x 10" h
Security for Tech Box	Key Lock
USB Ventilation Fan (Optional)	Up to 2 may be installed; Part # 4172279
PIN Code Security (Optional):	
PIN Code length	4 digits
Number of PIN Codes	128
PIN Code Management	Local and Network
PIN Code Membrane	Smooth, no "buttons", improved cleanability
User Log-on	Auto-Log Off or Screen Saver when lower door closes
Warranty:	
Mechanical components	5 Years
Electrical components (if applicable)	2 Years
Service	Parts and/or replacement unit ship next business day on standard components. Special Order panel warranty replacements ship in 7 days

Wall Preparation Dimensions



Mounting Plate Template included with each cabinet or available for early receipt by contacting Customer Service

Specifications subject to change without notice.

1-888-859-8294

www.RubbermaidMedical.com

04/11 Digital MD058
 © Rubbermaid Medical Solutions
 Huntersville, NC 28078
 A **Newell Rubbermaid** Company